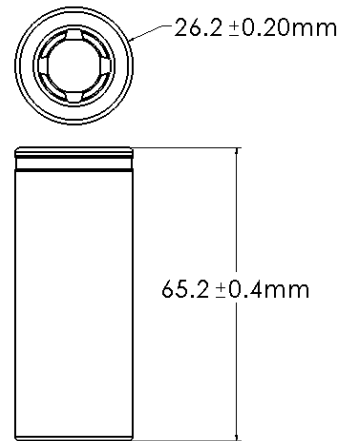




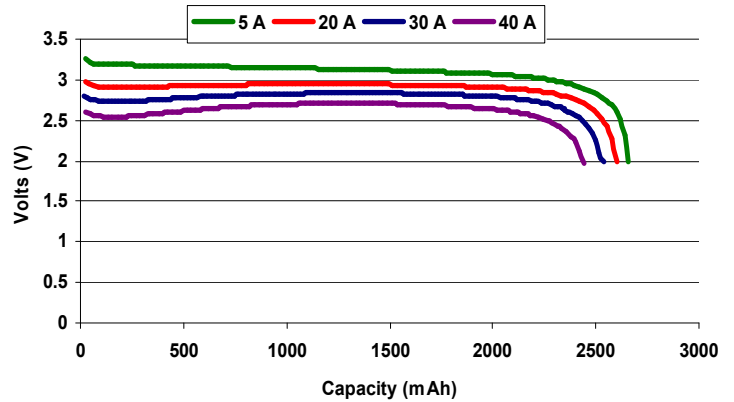
K2 ENERGY SOLUTIONS, INC.

Preliminary LFP26650P Power Cell Data Sheet

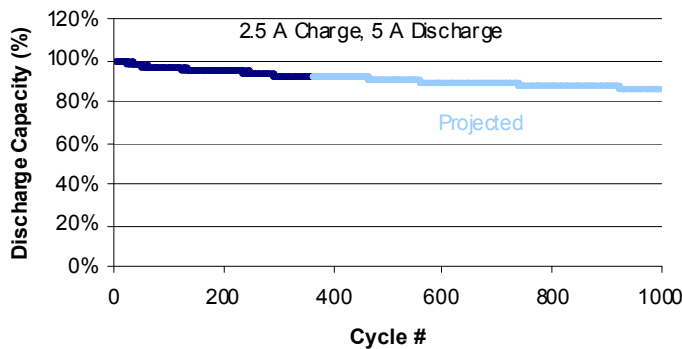
Specifications	
Nominal Capacity @ C/5 (mAh)	2,600
Average Operating Voltage @ C/5 (V)	3.2
Internal Impedance @ 1kHz,AC (mΩ)	< 9
Weight (g)	80.5 ± 2
Recommended Operating Conditions	
Continuous Discharge (mA)	≤ 10,000
Pulse Discharge (mA) 30 Seconds, Voltage >2.5 V	26,000
Charge Current (mA)	≤ 2,500
Charge Voltage Cutoff (V)	3.65
Discharge Voltage Cutoff (V)	2.5
High Operating Temp (°C)	60
Low Operating Temp (°C)	-20
Maximum Operating Conditions	
Continuous Discharge (mA)	42,000
Pulse Discharge (mA) 30 Seconds, Voltage >2.5 V	50,000
Charge Current (mA)	5,000
Charge Voltage Cutoff (V)	4.1
Discharge Voltage Cutoff (V)	2.0



Voltage Curves at Different Discharge Rates



Cycle Performance



Pulse Rate Performance

