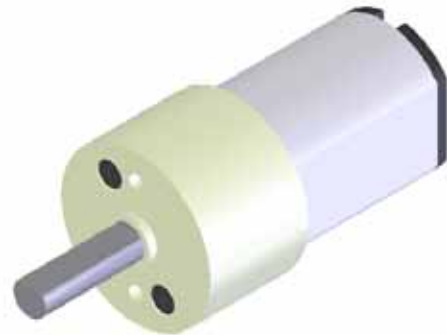
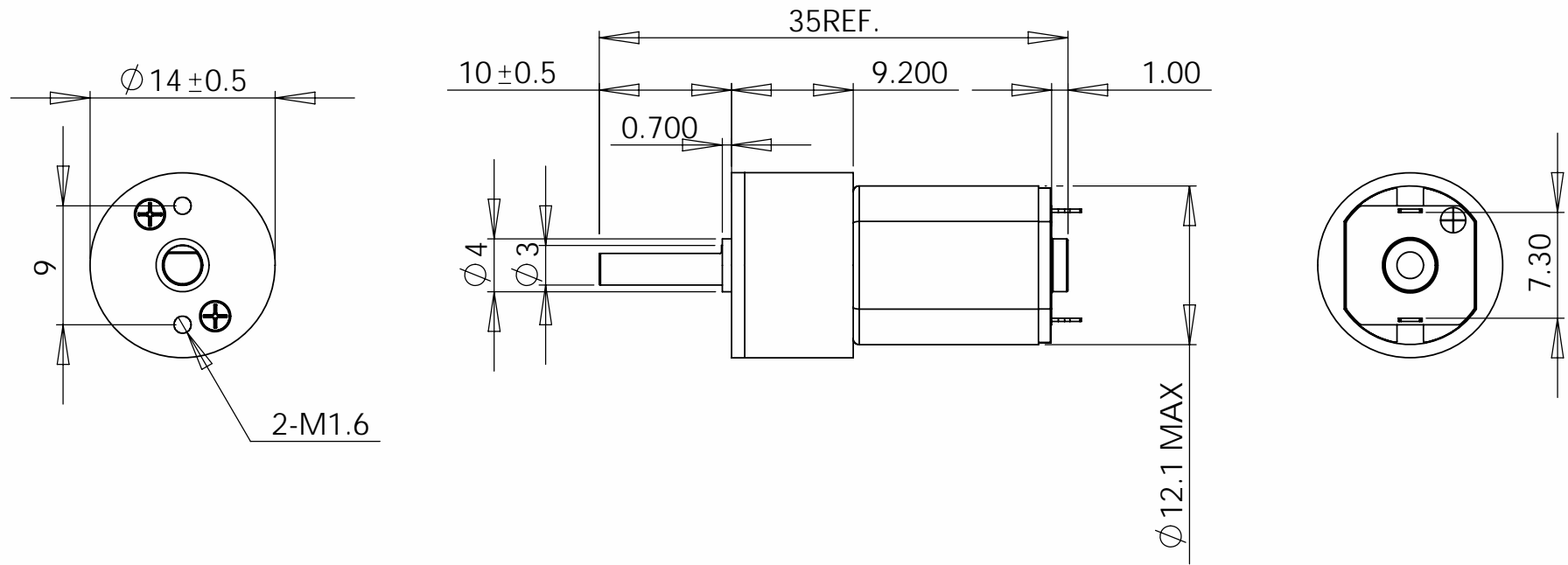



# Solarbotics GM20/22



Rev. Date Revision Details

DIMENSIONS ARE IN mm TOLERANCES: FRACTIONAL ± 0.1mm* ANGULAR: MACH ± BEND ± TWO PLACE DECIMAL ± 0.1 THREE PLACE DECIMAL ± 0.05	DRAWN	NAME	DATE	 Solarbotics Ltd. 201 35th Ave N.E. Calgary, Alberta, Canada T2E-2K5 Ph: (403) 232-6268 Fax: (403) 226-3741
	CHECKED	DDG	Nov0708	
	ENG APPR.			
	MFG APPR.			
MATERIAL	PRINTED	11/7/2008		
	PROPRIETARY AND CONFIDENTIAL			
	THE INFORMATION CONTAINED IN THIS DRAWING IS THE SOLE PROPERTY OF SOLARBOTICS. ANY REPRODUCTION IN PART OR AS A WHOLE WITHOUT THE WRITTEN PERMISSION OF SOLARBOTICS IS PROHIBITED.			SIZE <b>A</b>
DO NOT SCALE DRAWING	DWG. NO. <b>GM20</b>		REV.	
	SCALE: 2:1	WEIGHT:	SHEET 1/ 1	