

# RCE210 RELAY SWITCH

## MOUNTING

The RCE210 has diagonal mounting holes for #6 machine screws. Alternately you may wrap the entire unit in some form of non-conductive padding and securely zip-tie it in place.

## HOOK-UP AND CONFIGURATION

You will need to solder a three-wire connector suitable for your R/C receiver to the top left side of the RCE210 board. The standard colors of the conductors vary between manufacturers so double check their functions before proceeding. The top of the board has all of the components on it. The power pad is the only square pad and toward the right.

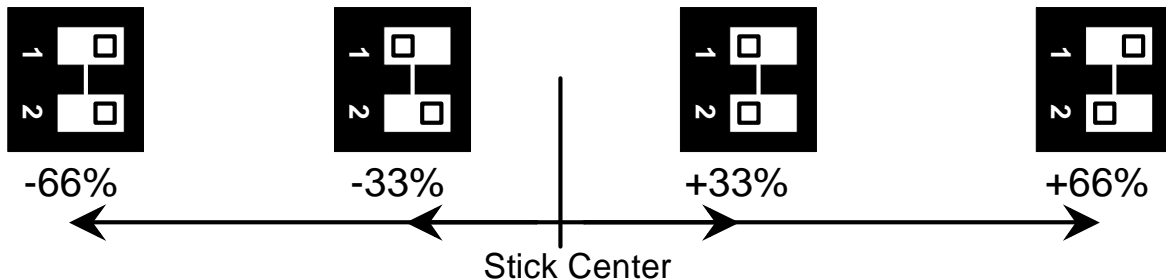
The black cube is the relay that actually switches your load on and off. It has 0.25" spade connectors for easy attachment of wires - no soldering required! Take care in supporting the bottom of the RCE210 when pushing connectors onto the relay to prevent flexure and possibly breakage of the PC board.

## OPERATION

The onboard LED will aid in switch setup and display the status of your radio link. The blink codes are standard for all Team Delta interfaces and are as follows:

- |            |  |              |                                   |
|------------|--|--------------|-----------------------------------|
| ○ Off      | The board is unpowered   | ⊛ Slow blink | Valid signal; relay is <b>OFF</b> |
| ● On solid | Transmitter fault: no valid signal detected (relay is <b>OFF</b> for safety) | ⊛ Fast blink | Valid signal; relay is <b>ON</b>  |

Two DIP switches set the transmitter stick threshold for turning the relay on. You may alter the switch configuration "on the fly" to test out the various thresholds. You may need to adjust the trim on your transmitter stick for best operation.

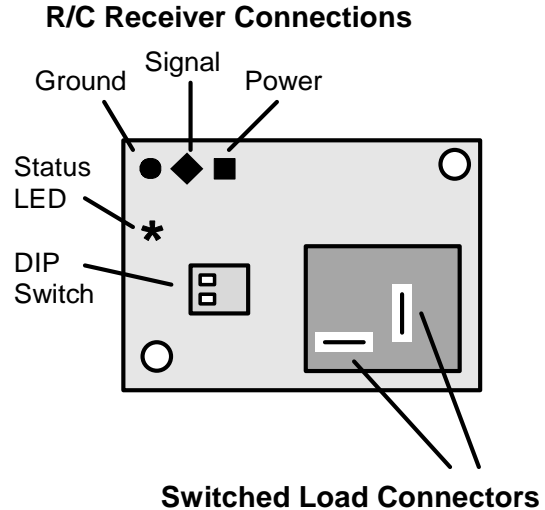


## SPECIFICATIONS

- Supply voltage: 4.1 - 5.5 vdc (four Rx Nicads MAX!)
- Supply current: 20ma stand-by  
220ma when relay energized
- Load rating: Relay is rated for non-welding contact up to 24 amps at 30 volts DC
- Switching time: 8.0 milliseconds typical

## PHYSICAL

Size: 1.75" x 2.50" x 1.25"  
Weight: 4 oz.



## ⚠ Important!

This product is a current hog. You might not think that 220 milliamps is a lot, but to a AA size Nicad receiver battery pack, it is.

BE DILIGENT in keeping those receiver batteries topped off. The relay in this product drops out at 4.1 volts, so it really needs a good, strong power source to operate properly.